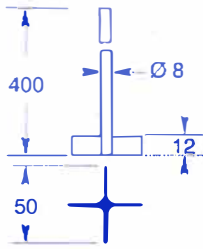


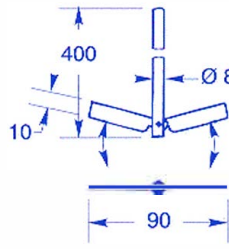
STIRRER IMPELLERS



Crossed Blade Impeller

- welded to shaft
- stainless steel 316L
- weighs 128 grams
- teflon coated available

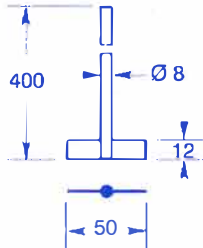
ORDER N° A130



Collapsible Blade Impeller

- pinned to shaft
- stainless steel 316L
- weighs 127 grams

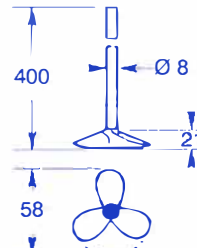
ORDER N° A141



Straight Blade Impeller

- welded to shaft
- stainless steel 316L
- weighs 124 grams
- teflon coated available

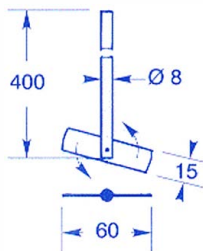
ORDER N° A131



Pitched Blade Propeller

- set screws fasten propeller to shaft
- stainless steel 316L
- weighs 181 grams
- teflon coated available

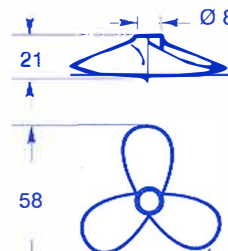
ORDER N° A160



Pivoting Blade Impeller

- pinned to shaft
- stainless steel 316L
- weighs 126 grams

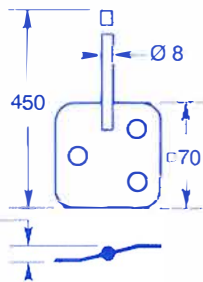
ORDER N° A140



Pitched Blade Propeller

- without shaft
- stainless steel 316L
- with S.S. set screws
- weighs 27 grams

ORDER N° A161



Square Blade Paddle

- welded to shaft
- stainless steel 316L
- weighs 180 grams
- teflon coated available

ORDER N° A150

- rod only
- length, 400 mm

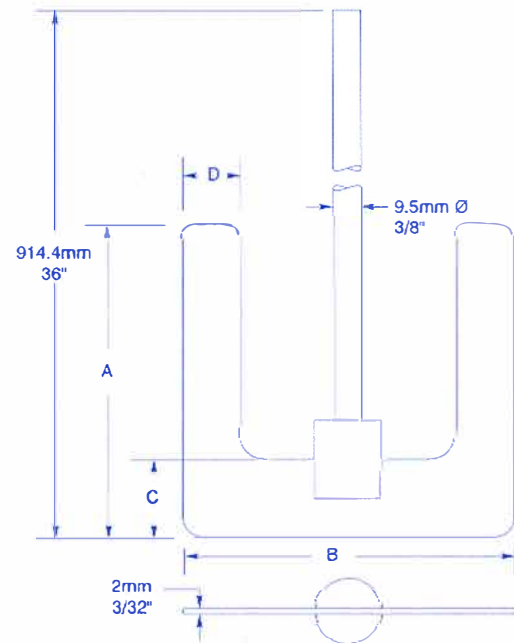
ORDER N° A162

U Shaped (Anchor) Paddles

Model	Order N°	Weight	A	B	C	D
U 044	U044	280gm	4", 101mm	4", 101mm	1", 25mm	1", 25mm
U 055	U055	300gm	5", 127mm	5", 127mm	1", 25mm	1", 25mm
U 510	U510	716gm	5", 127mm	10", 254mm	2", 50mm	2", 50mm

- Made of stainless steel 316L
- Blade, hub, and shaft welded together

Above dimensions are in millimetres (1" = 25.4mm)



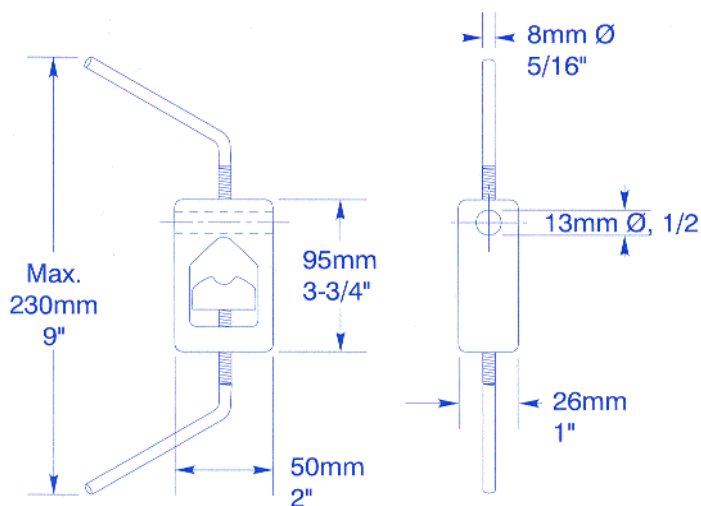
654 Petrolia Road,
Toronto, ON M3J 2W3

Tel: (416) 736-6166
Toll-Free: (800) 387 3570



Custom impeller designs, dimensions, and materials available.

STIRRER ACCESSORIES



Fastening Clamp

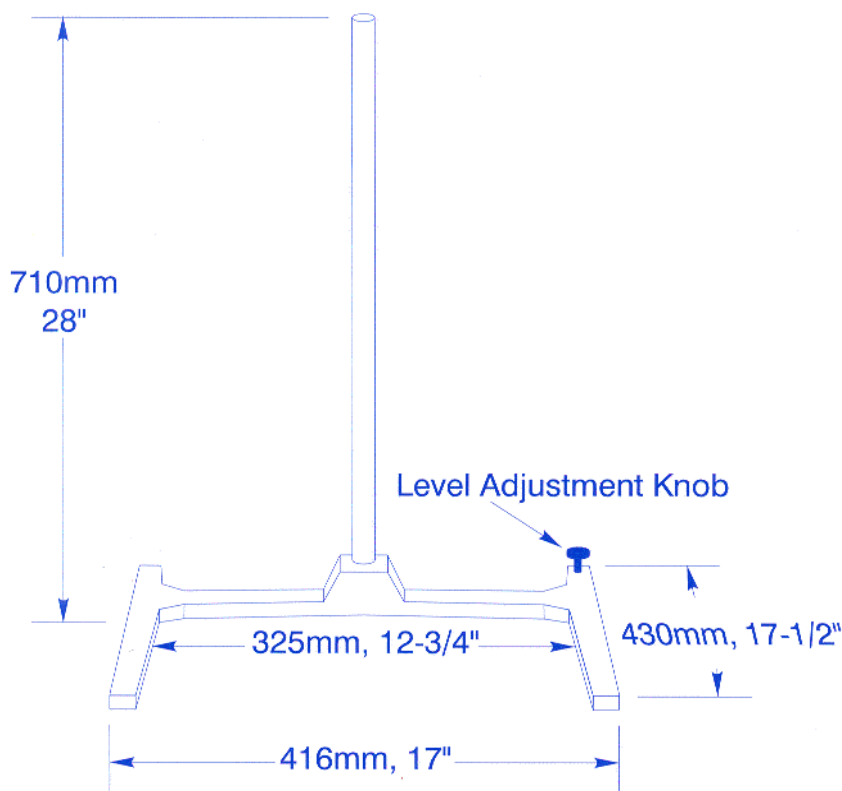
ORDER N° A120

Accepts: 15mm Ø through 30mm Ø rods

Body: Cast zinc-aluminum alloy with chemical-resistant epoxy coating

Handles: Stainless steel 304

Total Weight: 640g, 1-1/2 lbs.



Universal Stand

ORDER N° A110

Base: Cast zinc-aluminum alloy with chemical-resistant epoxy coating

Tube: Stainless steel 304, 25.4mm Ø, 1"

Total Weight: 5.0kg, 11 lbs.



654 Petrolia Road,
Toronto, ON M3J 2W3

Tel: (416) 736-6166
Toll-Free: (800) 387 3570



R.R. #2, Warton, Ontario N0H 2T0

(519) 534-1080 Fax: (519) 534-1088

For technical assistance call 1-800-567-3556