



Address
654 Petrolia Road,
Toronto, ON M3J 2W3

Tel: (416) 736-6166
Toll Free: (800) 387 3570
Fax: (416) 736-9346
E-mail: info@betatekinc.com



Caframo® LabSolutions

1540 Crossover

The Caframo 1540 combines industrial control features and incredible amounts of power creating a portable mixer perfectly suited for lab or production batches.

Resume on power up allows precise control by a PC or PLC. Plug in a USB drive for immediate data logging of date, speed, time and torque. Alarms, timers, PC programmability as well as "mount and plug in" installation provide a transportable mixer from bench top to barrel.

Key Specifications:

- | | |
|---------------|----------------------------------|
| Speed Range | • 50-1500 rpm, (0.83 - 25 hertz) |
| Max Torque | • 3000 Ncm |
| Max Viscosity | • 180,000 cP |
| Output Power | • 1/2 hp, 300 watts |
| Max Volume | • 200 litres |

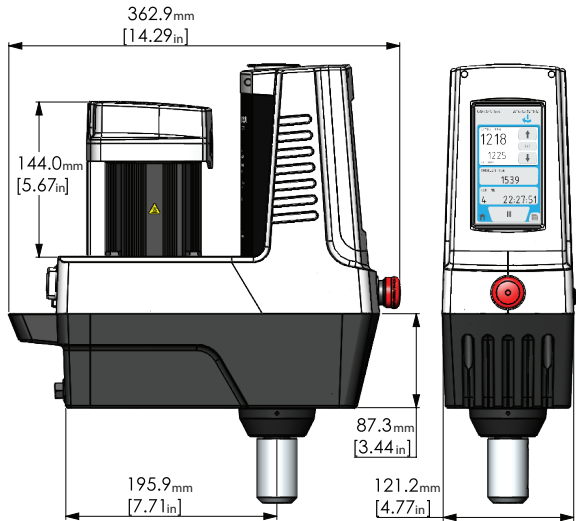
PC Control

Portable Power

Crossover to Industrial



1540 Crossover



Features and Benefits:

Brushless DC Motor - fan cooled

- High efficiency, 300 watts at shaft
- Highest torque overhead mixer on market
- Overload and overheat protection

GUI - resistive touch control

- Operate with a gloved hand
- Large (60 x 1100 mm) visibility of settings
- Speed control on home screen

Mounting - bolt pattern

- C-clamp accessory angles mixing shaft into vessel
- Flat plate accessory for surface mounting
- Bolt pattern allows mounting into custom systems

Applications:

- Media prep
- Pharma batches of creams
- Wastewater flocculation
- Industrial pilot plants
- Biological, diagnostic products

Additional Specifications:

| | |
|---------------------------------|--|
| Input Power | 120 volts, 60 Hz |
| Motor | Brushless DC |
| Weight | 12 kg |
| Display | Graphic user interface, resistive touch screen |
| Mounting | Square bolt pattern, 87.6 mm |
| Impeller Adjustment | Through shaft |
| Impeller Attachment | Keyed chuck, 420 SS, accepts shafts up to 16 mm |
| Communications and Data Logging | USB, DB9, and Isolated analog 4-20mA |
| Includes | Mixer, chuck, chuck key, chuck shaft guard, mounting hardware and power cord |
| Approvals | Tested to UL61010 standards See manual for details |
| Warranty | Three years |

A mixer
you will NOT
want to share!



Address

654 Petrolia Road,
Toronto, ON M3J 2W3

Tel: (416) 736-6166

Toll Free: (800) 387 3570

Fax: (416) 736-9346

E-mail: info@betatekinc.com

